

HM9A



- HM9A load cells are available in the capacities 10t~50t.
- Alloy steel construction, nickel plated, hermetically welded, oil proof, waterproof, anti-corrosive gas and medium making it suitable for all kinds of environments.
- Dual shear beam, suitable for electronic truck scales, railway scales and other electronic weighing devices.

Features

- Capacity: 10t~50t
- High accuracy
- Alloy steel construction
- Easy installation and reliable performance

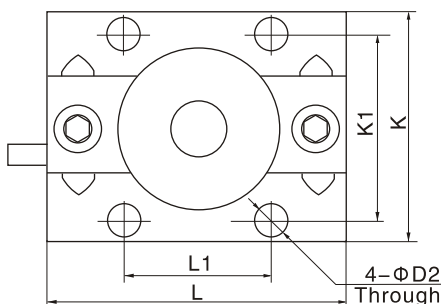
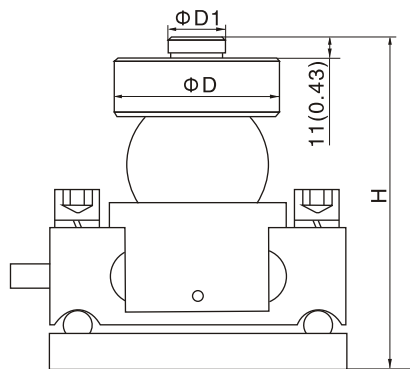
Accessories

Button, steel ball, ball cup, base plate

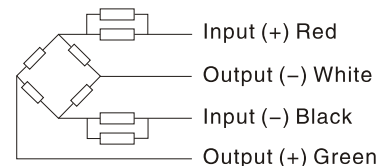
Specifications

Capacity	t	10/15/20/25/30/40/40SE/50				
Accuracy		C1	C2	C3	A5M	B10M
Maximum number of verification intervals	n _{max}	1000	2000	3000	5000	10000
Minimum load cell verification interval	v _{min}	E _{max} /3000	E _{max} /5000	E _{max} /10000	E _{max} /15000	E _{max} /10000
Combined error	(%FS)	≤ ±0.050	≤ ±0.030	≤ ±0.020	≤ ±0.026	≤ ±0.050
Creep	(%FS/30min)	≤ ±0.038	≤ ±0.024	≤ ±0.016	≤ ±0.017	≤ ±0.040
Temperature effect on sensitivity	(%FS/10°C)	≤ ±0.028	≤ ±0.017	≤ ±0.011	≤ ±0.013	≤ ±0.040
Temperature effect on zero	(%FS/10°C)	≤ ±0.047	≤ ±0.023	≤ ±0.015	≤ ±0.014	≤ ±0.020
Output sensitivity	(mv/v)	2.0±0.002				
Input resistance	(Ω)	700±3.5				
Output resistance	(Ω)	703±3.5				
Insulation resistance	(MΩ)	≥5000(50VDC)				
Zero balance	(%FS)	1.5				
Temperature, compensated	(°C)	-10~+40				
Temperature, operating	(°C)	-35~+65				
Excitation, recommended	(V)	5~12(DC)				
Excitation, max	(V)	18(DC)				
Safe overload	(%FS)	150				
Ultimate overload	(%FS)	300				

Outline Dimension mm(inch)



Dimension	L	L1	W	W1	W2	H	H1	D	D1	D2	SR
Capacity											
10t ~ 40tSE	160 (6.29)	80 (3.14)	125 (4.92)	100 (3.93)	56 (2.2)	179 (7.04)	19 (0.74)	30 (1.18)	88 (3.46)	18 (0.70)	76.2 (3)
40t ~ 50t	200 (7.87)	124 (4.88)	155 (6.1)	124 (4.88)	62 (2.44)	220 (8.66)	24 (0.84)	40 (1.57)	98 (3.85)	21 (0.82)	82 (3.22)



Wiring:

Adopt shielded, 4 conductor cable: Φ5.5mm
Standard cable length: 12m
Cable type and cable length for customers own applications are available on requests.